

# New low enthalpy emmitters

## **Sunthalpanel**



# Sunthalpanel

## Modular radiant system



**Ref. 1170. Sunthalpanel XS**  
**Ref. 1171. Sunthalpanel S**  
**Ref. 1172. Sunthalpanel XL**

Launch date: February, 2024

# Sunthalpanel

## Modular radiant system



### Price table:

Model	1170.Sunthalpanel XS	1171.Sunthalpanel S	1172.Sunthalpanel XL
PVP	825,00 €	1042,00 €	1671,00 €

- Easy installation and low maintenance.
- They guarantee uniform distribution at low temperatures.
- Allow savings of up to 90% with heat pumps.
- Ultra-thin and customisable.
- Can be installed on ceilings or walls.

### Services:



Heating



Cooling

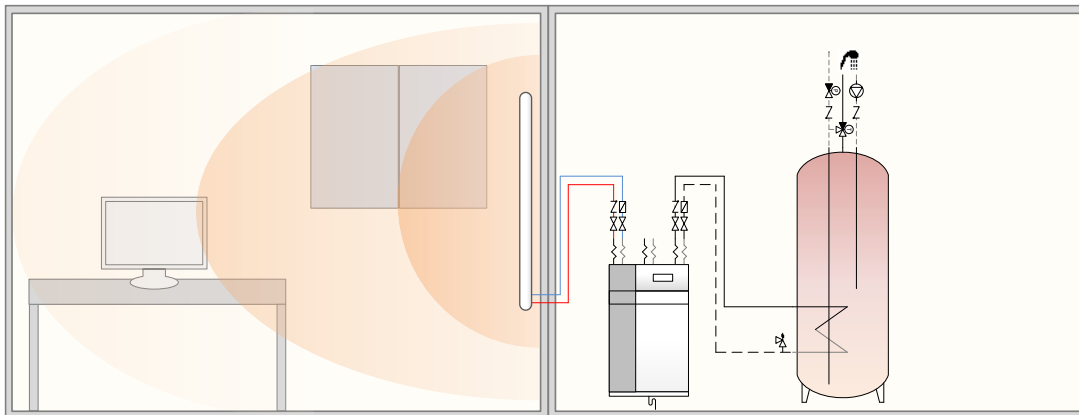
SPECIFICATIONS		UNITS	XS	S	XL
SERVICE	Heating	-	✓	✓	✓
	Cooling	-	✓	✓	✓
FEATURES	Exchange surface	m <sup>2</sup>	1,1	1,5	3
	Heating surface	m <sup>2</sup>	3,5	5	12
	Average heat transmission coefficient	W/°C	13	18	36
	Heating at 20 °C with water at 25 °C	W	77	105	210
	Heating at 20 °C with water at 30 °C	W	130	180	360
	Heating at 20 °C with water at 35 °C	W	195	270	540
	Heating at 20 °C with water at 40 °C	W	286	360	720
	Cooling at 24 °C with water at 18 °C	W	78	113	216
OPERATING LIMIT	Minimum/maximum heating temperature	°C	20 a 40		
	Minimum/maximum cooling temperature	°C	16 <sup>(1)</sup> a 20		
SIZE AND PRICE	Height x width x depth	mm	1500x740x15	1500x1000x15	1991x1500x15
	Empty weight	kg	15	18	37

# Sunthalpanel

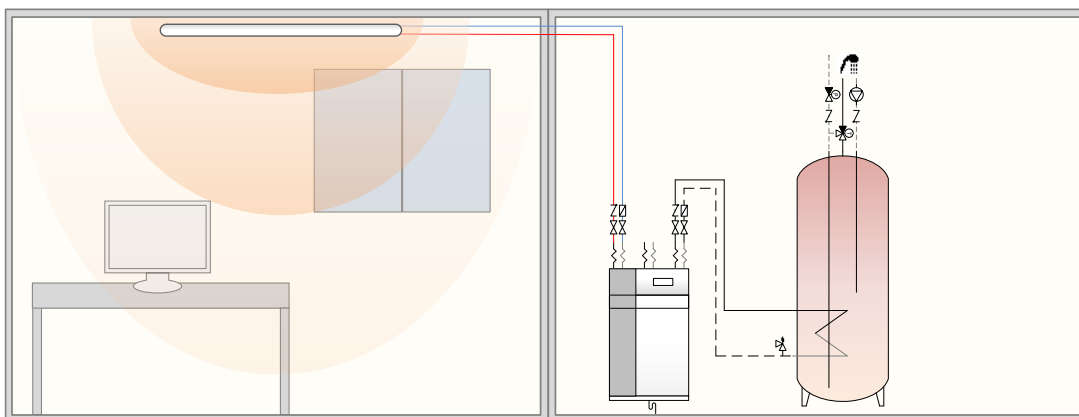
## Modular radiant system

### Flexible installation

#### Wall installation



#### Ceiling installation



### Simple assembly:

- Fit fixings and remove the template.
- Place the sunthalpanel on the lift.
- Connect the hydraulic return and hydraulic drive.
- Assemble.
- Remove protections.



**Ecoforest Geotermia, S.L.**

Parque Empresarial Porto do Molle

Rúa das Pontes, 25

36350 Nigrán (Pontevedra) Spain

+34 986 262 184

[www.ecoforest.com](http://www.ecoforest.com)